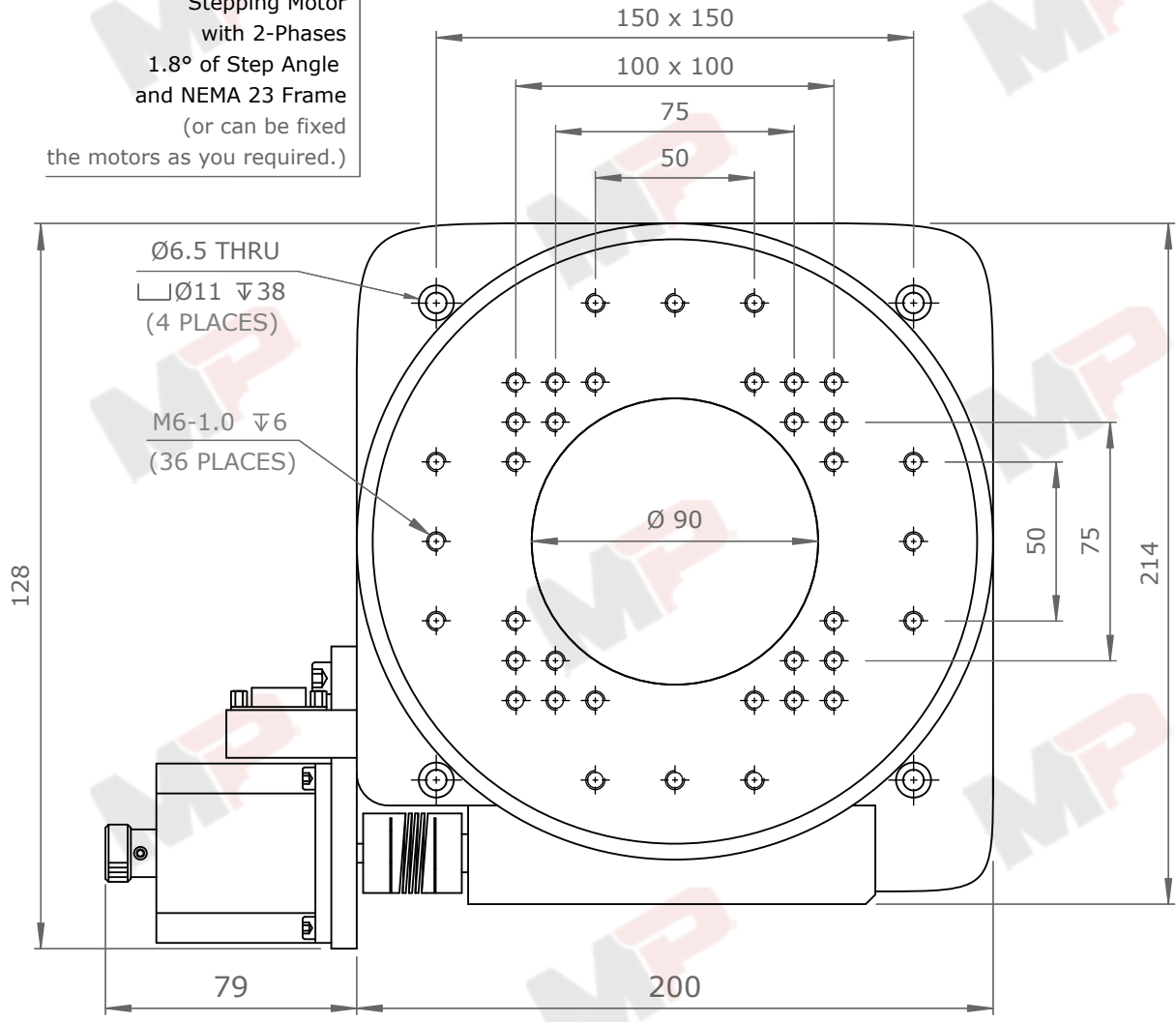


Stepping Motor with 2-Phases
1.8° of Step Angle
and NEMA 23 Frame
(or can be fixed the motors as you required.)



Large-Platform Size Motorized Rotating Stage

Key Features

- 1° Graduations on Main Dial
- 200 mm in Diameter of Platform Size
- On-Axis Loads up to 60 kg (132 lbs)
- Continuous 360° Rotation in a Long-Terms Using
- Preloaded Worm Gear Drive Mechanism with Low Backlash
- Optional function: Rotary Encoder, Servo Motor, Home Limit Switch

Motorized Rotation Stage	
Rotation Range	360° in Continuously
Platform Size	Ø 200 mm
Max. Load	60 kg (Horizontal)
Drive Mechanism	Worm Gear
Gear Ratio	180 : 1
Max. Velocity	25°/sec
Min Incremental Motion	0.00125°
Bi-directional Repeatability	< 0.005°
Accuracy	< 0.01°
Backlash	< 0.01°

DRAWING PROJECTION		
	NAME	DATE
DRAWN	JS	2/28/2014
APPROVAL	GW	3/3/2014



COPYRIGHT © 2014 BY MPOSITIONING CO., LTD.
UNLESS OTHERWISE SPECIFIED DIMENSIONS ARE IN MILLIMETERS

MODEL NO.: **MR200**
A4
REVISION: 00