

Name: 2HB 57 Series 1.8° 2-Phase Stepping Motors

通用规格 (General specifications):

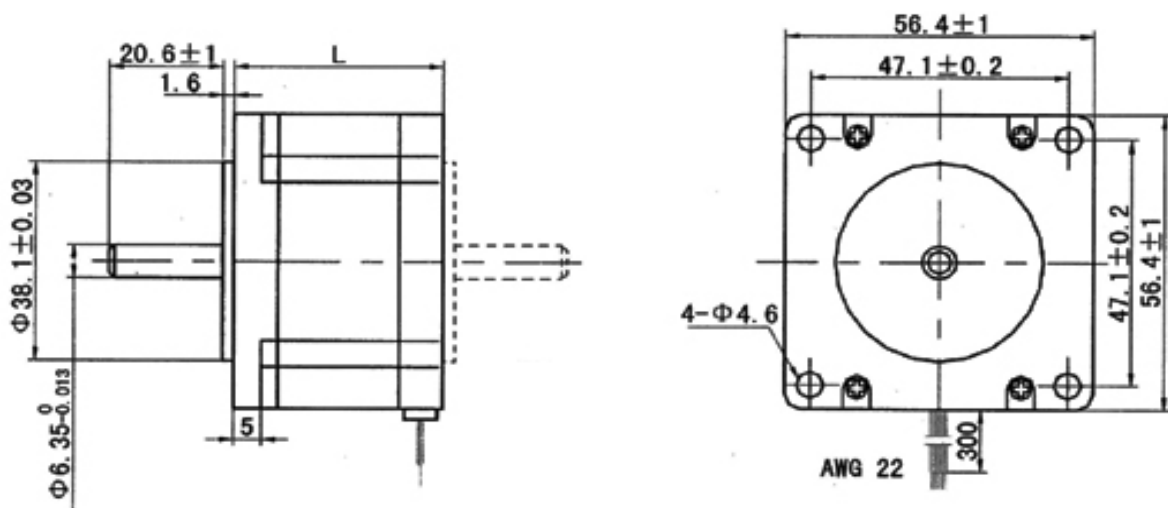
步距精度(Step Accuracy):	5%
温升(Exothermal):	80°C Max
环境温度(Environmental Temperature):	-20°C~+50°C
绝缘电阻(Insulating Resistance):	100M Ω Min 500VDC
耐压(Pressure-Proof):	500V AC 1minute
径向跳动(Radial Run-out):	Max.0.06mm(450g Load Capacity)
轴向跳动(Axial Run-out):	Max.0.08mm(450g Load Capacity)



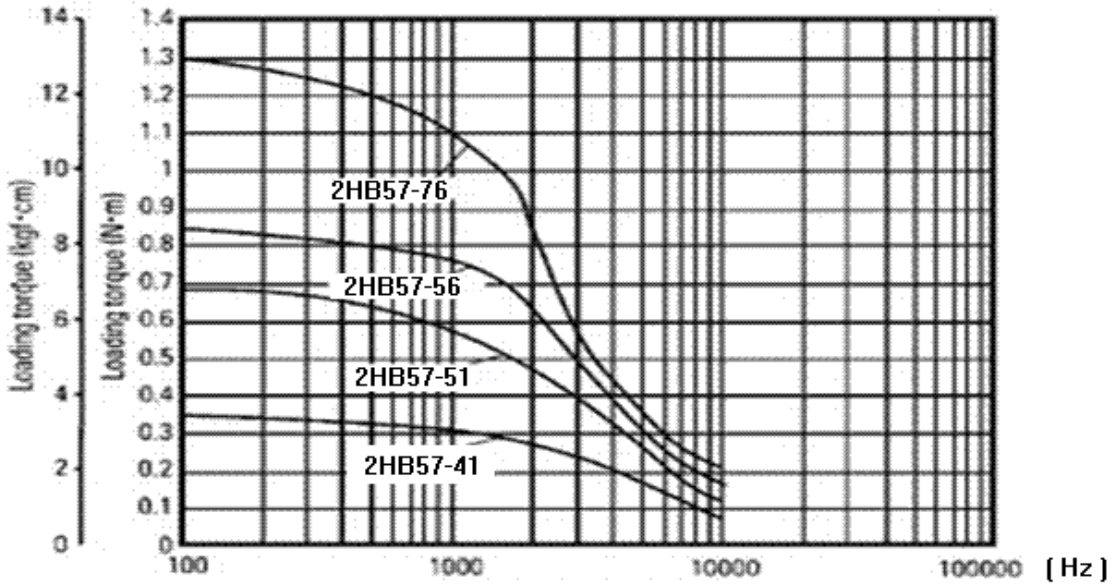
技术数据(Specifications)

型号 Model	步距角 Step Angle (°)	电机长度 Length L(mm)	保持转矩 Holding torque (N.m)	额定电流 Current (A/phase)	相电阻 Resistance (Ω)	相电感 Inductance (mH)	转子惯量 Rotor inertia (g.cm ²)	电机重量 Weight (kg)
2HB57-76	1.8	76	1.35	3.0	1.0	1.6	480	1.0

外形尺寸(Dimension)

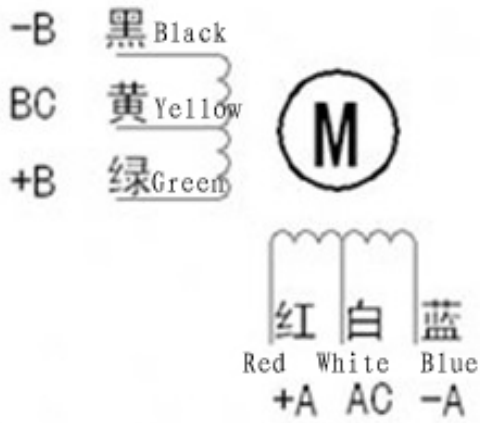


矩频特性曲线图(Frequency-torque characteristics)

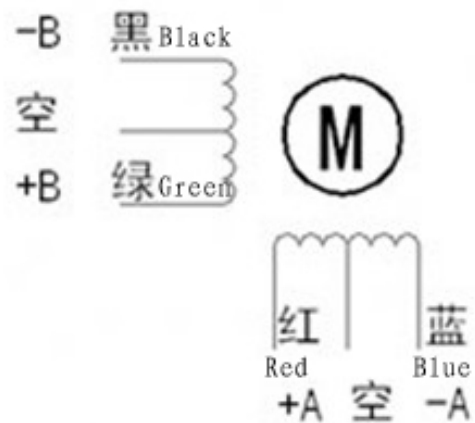


接线图(Connections)

六出线 (6 leads)



四出线 (4 leads)



注意事项(Remark):

1. 电机特性数据和技术数据都是在 YKA2404MA 驱动器驱动的情况下测得，测试电压为 28VDC。

The performance data of motor and Technical data comes from the testing of Driver YKA2404MA, and the testing voltage is 28VDC.