

A

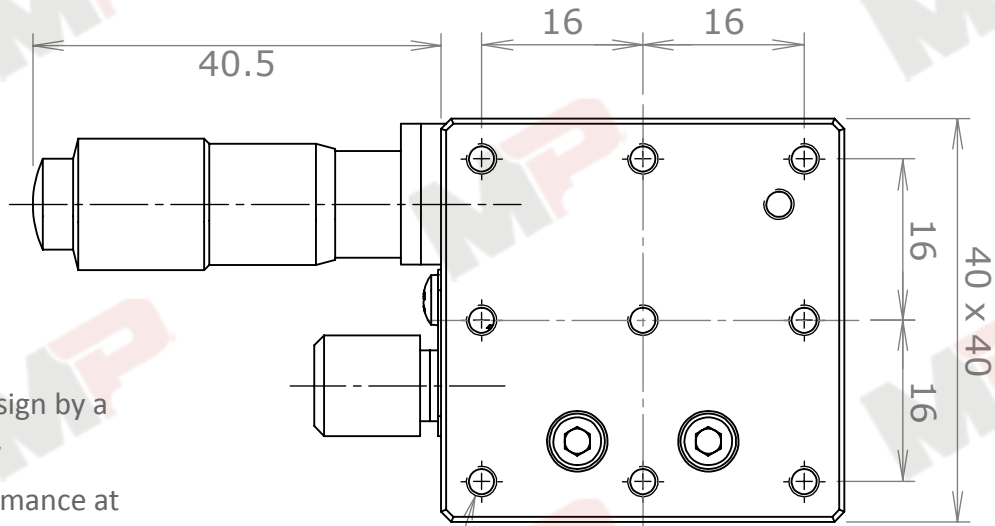
B

C

D

1

1



Key Features

- Lockable design by a thumbscrew
- Good performance at an economical price
- Smooth motion over the entire vertical range
- Cross Roller Bearing for Precise Motion, and Stability

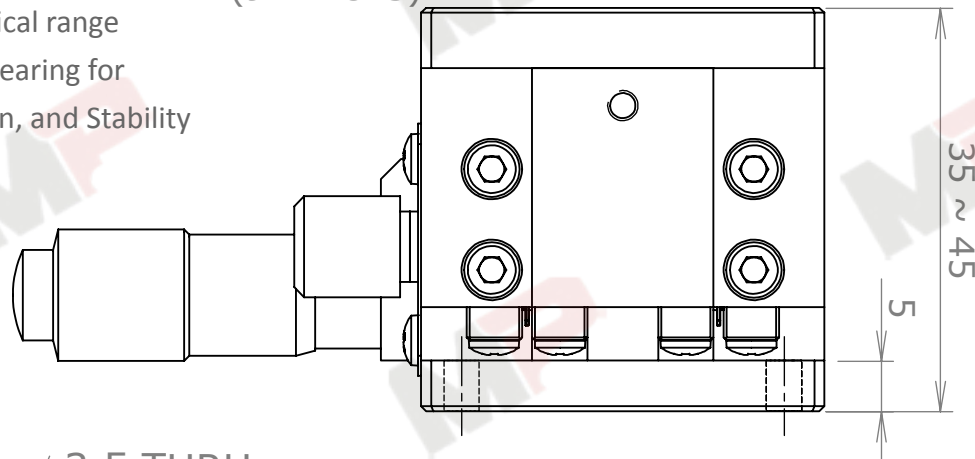
2

2

M3-.5 ∇ 5
(9 PLACES)

3

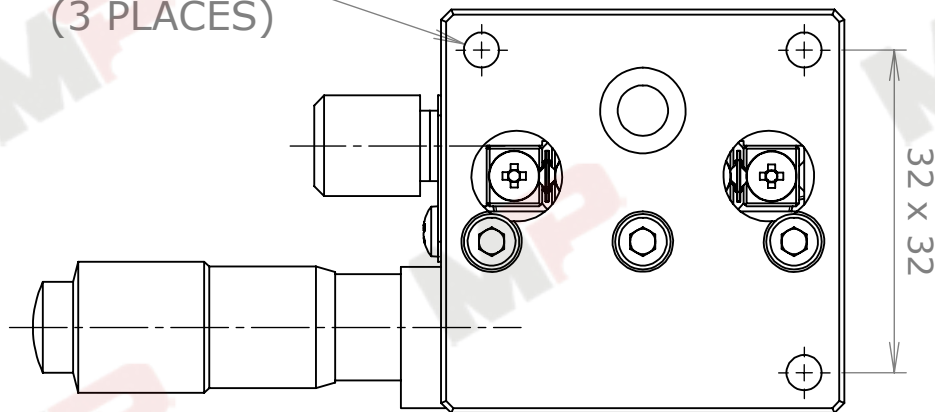
3



4

4

\varnothing 3.5 THRU
(3 PLACES)



5

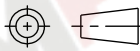
5

Vertical Translation Stage (Lab Jack)

Axes of Travel	Z
Material	Aluminum Alloy
Platform	40 mm x 40 mm
Travel	10 mm
Max. Load	2.0 kg
Resolution	0.01 mm
Accuracy	0.01 mm

FOR INFORMATION ONLY
NOT FOR MANUFACTURING PURPOSES

DRAWING
PROJECTION



	NAME	DATE
DRAWN	JS	6/28/2012
APPROVAL	GW	6/28/2012



COPYRIGHT © 2012 BY MPOSITIONING CO., LTD.

MODEL NO.: T40Z-10A

A4

UNLESS OTHERWISE SPECIFIED DIMENSIONS ARE IN MILLIMETERS

REVISION: 00