

A

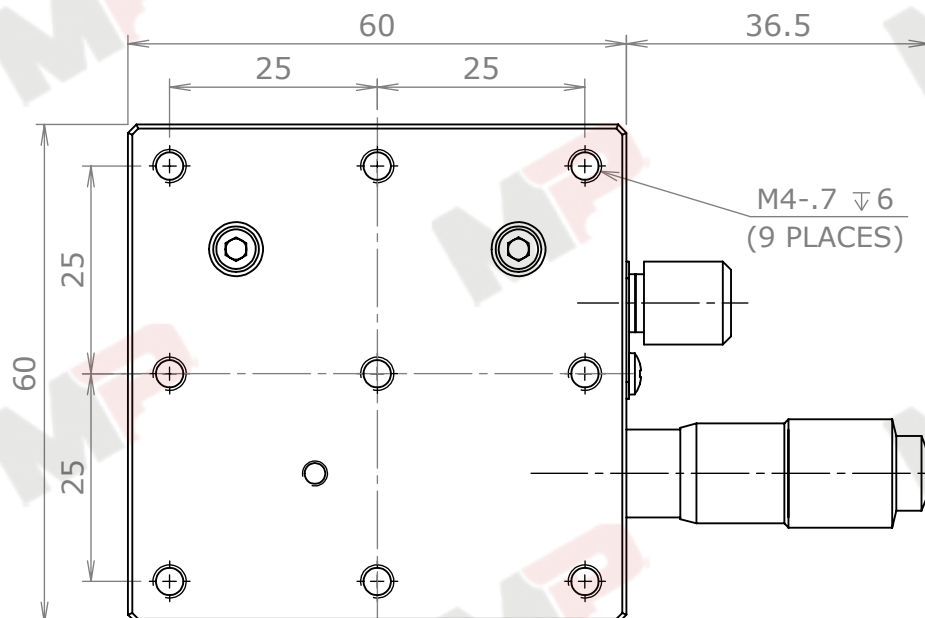
B

C

D

1

1



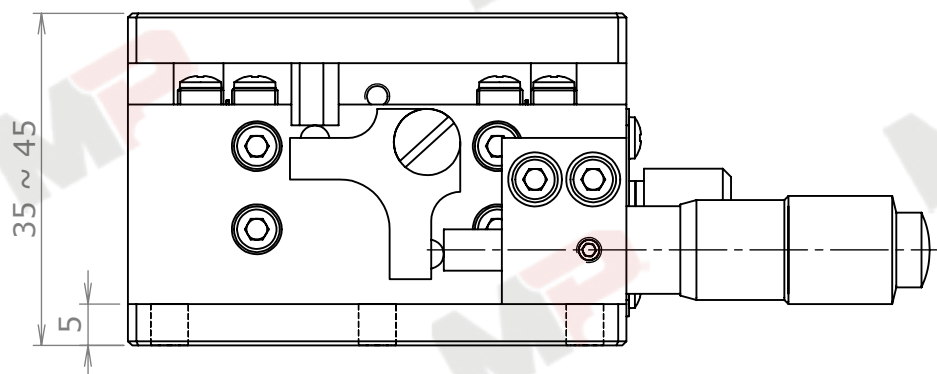
M4-.7 ∇ 6
(9 PLACES)

2

2

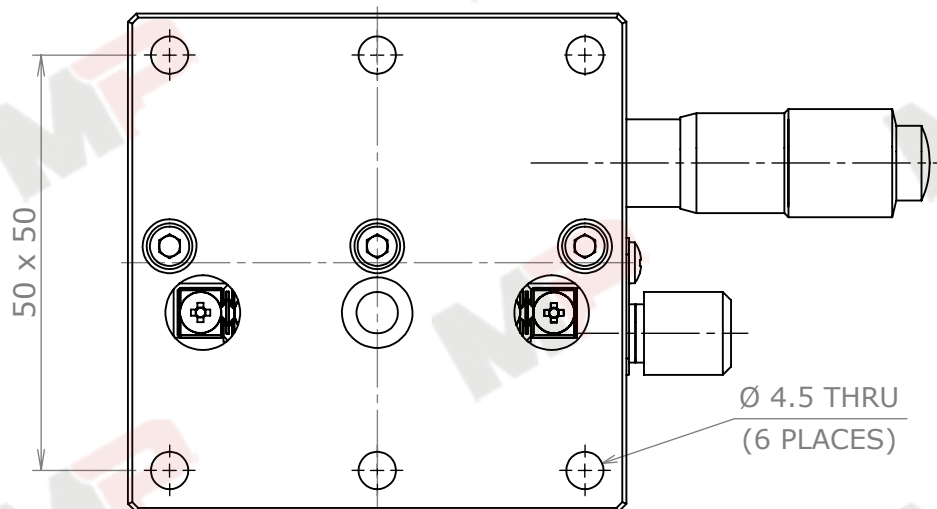
3

3



4

4



Ø 4.5 THRU
(6 PLACES)

5

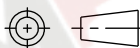
5

Vertical Translation Stage (Lab Jack)

Axes of Travel	Z
Material	Aluminum Alloy
Platform	60 mm x 60 mm
Travel	10 mm
Max. Load	3.0 kg
Resolution	0.01 mm
Accuracy	0.01 mm

FOR INFORMATION ONLY
NOT FOR MANUFACTURING PURPOSES

DRAWING
PROJECTION



	NAME	DATE
DRAWN	JS	6/28/2012
APPROVAL	GW	6/28/2012



COPYRIGHT © 2012 BY MPOSITIONING CO., LTD.

MODEL NO.: T60Z-10A

A4

UNLESS OTHERWISE SPECIFIED DIMENSIONS ARE IN MILLIMETERS

REVISION: 00