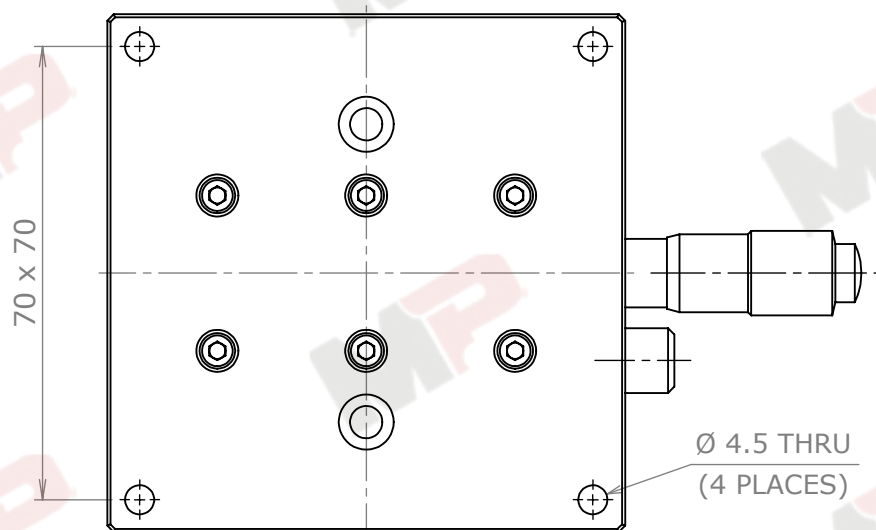
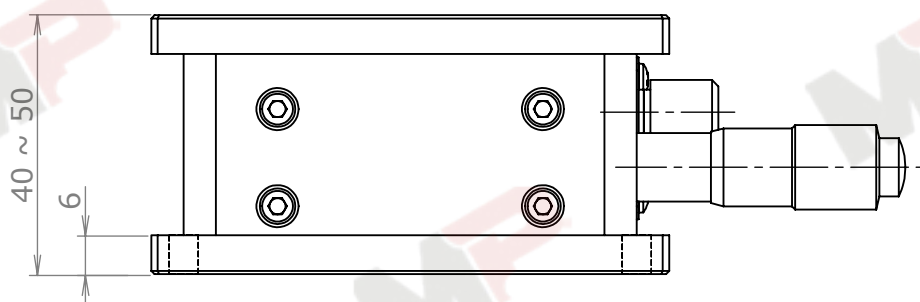
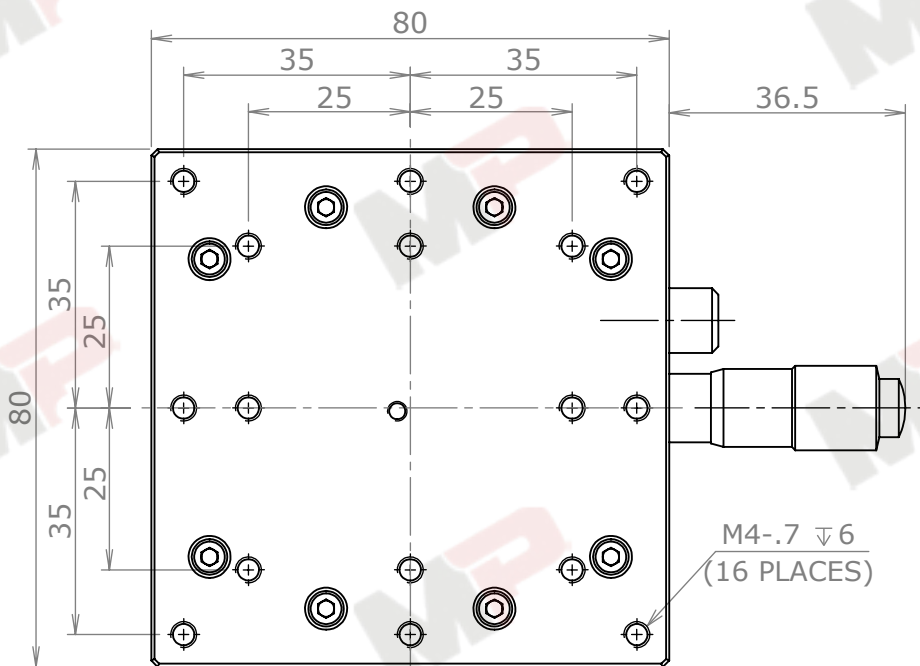


A

B

C

D



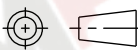
**Precision Vertical Translation Stage**  
80 x 80 mm Platform Size

Vertical Translation Stage (Lab Jack)

FOR INFORMATION ONLY  
NOT FOR MANUFACTURING PURPOSES

Axes of Travel	Z
Material	Aluminum Alloy
Platform	80 mm x 80 mm
Travel	10 mm
Max. Load	8.0 kg
Resolution	0.01 mm
Accuracy	0.01 mm

DRAWING  
PROJECTION



	NAME	DATE
DRAWN	JS	6/28/2012
APPROVAL	GW	6/28/2012



COPYRIGHT © 2012 BY MPOSITIONING CO., LTD.

MODEL NO.: T80Z-10B

A4

UNLESS OTHERWISE SPECIFIED DIMENSIONS ARE IN MILLIMETERS

REVISION: 00